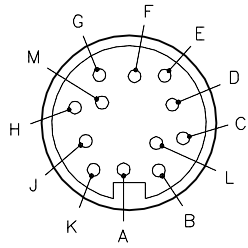



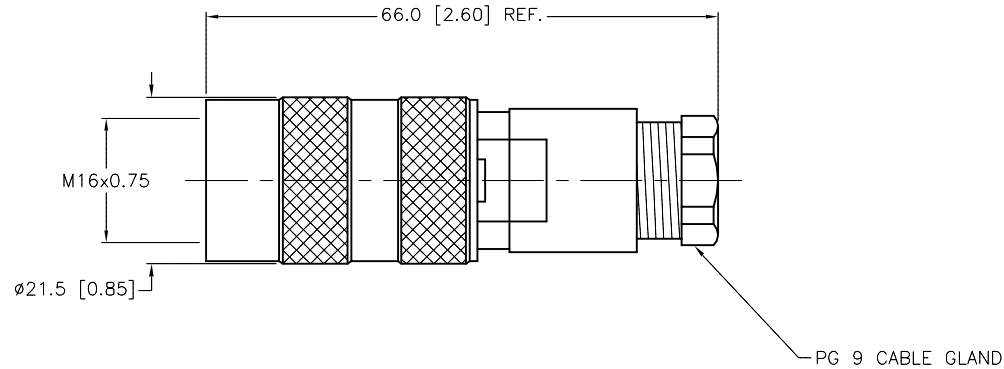
FEMALE END VIEW



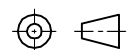
 M16 connector

SPECIFICATIONS

CONTACT CARRIER MATERIAL	PBT
CONTACT MATERIAL/PLATING	COPPER ALLOY/GOLD
HOUSING MATERIAL	NYLON
COUPLING NUT MATERIAL	BRASS
RATED CURRENT [A]	3.0 A
RATED VOLTAGE [V]	60 V AC/DC
TEMPERATURE RANGE	-40°C to +95°C [-40°F to +203°F]
PROTECTION CLASS	MEETS IEC IP67
CABLE GLAND	PG 9 - ACCEPTS 6-8mm CABLE
TERMINATION TYPE	SOLDER CUP



SOURCE DRAWING - FOR REFERENCE ONLY

RELATED DOCUMENTS		3RD ANGLE PROJECTION	THIS DRAWING IS CONFIDENTIAL AND THE PROPERTY OF TURCK INC. USE OF THIS DOCUMENT WITHOUT WRITTEN PERMISSION IS PROHIBITED.		TURCK INC High Technology Sensors and Automation Controls 3000 CAMPUS DRIVE MINNEAPOLIS, MN 55441 1-800-544-7769 (763) 553-7300 (763) 553-0708 fax turck.com	
1.			DRFT	RDS	DATE	04/05/16
2.			APVD	M.B.	SCALE	1=1.0
3.		ALL DIMENSIONS DISPLAYED ON THIS DRAWING ARE FOR REFERENCE ONLY	UNIT OF MEASUREMENT		DESCRIPTION	
4.			MILLIMETER [INCH]		BK 12-0	
MATERIAL		CONTACT TURCK FOR MORE INFORMATION	DO NOT SCALE THIS DRAWING		IDENTIFICATION NO.	
SEE SPECIFICATIONS					U0896-17	
FINISH				REV		
SEE SPECIFICATIONS				A		
A		DRAWING RELEASE		RDS		05/19/16
REV		DESCRIPTION		BY		DATE
				ECO NO.		
				FILE: U0896-17		SHEET 1 OF 1

A	DRAWING RELEASE	RDS	05/19/16	
REV	DESCRIPTION	BY	DATE	ECO NO.